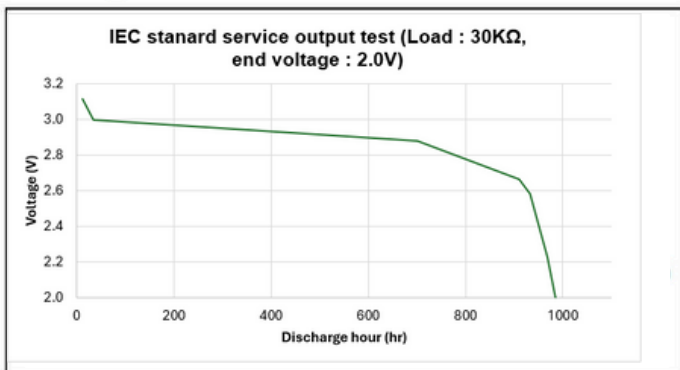


Description : Flat Lithium Battery
Chemical system : Lithium Manganese
Nominal voltage : 3 Volts
Nominal capacity : 80mAh
Dimensions : Ø20mm x 1.6mm
Shelf life : 10 years at room temperature
Average weight : 1.7 grams
Operation temperature: -20°C ~60°C
Storage temperature: 20°C ± 2°C

Cross References:

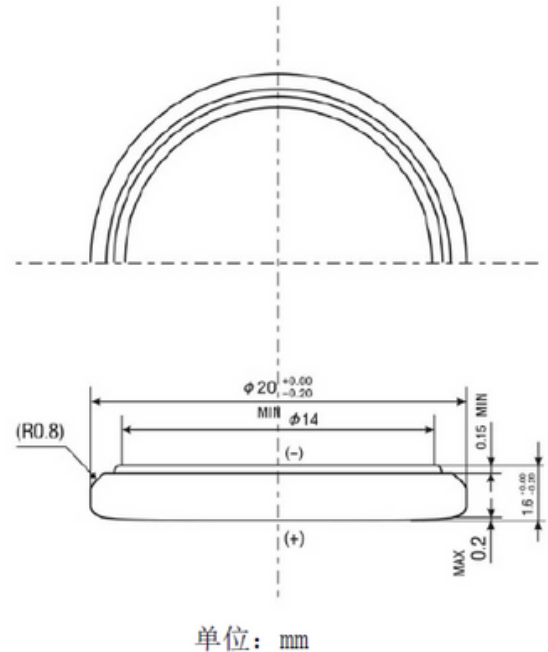
IEC	JIS	Panasonic	Varta
CR2016	CR2016	CR2016	CR2016

Discharge Characteristics



Model no.: **CR2016**

Extra



The information (subject to change without prior notice) contained in this document is for reference only and should not be used as a basis for product guarantee or warranty. For applications other than those described here, please consult your nearest GP Sales and Marketing Office or Distributors.