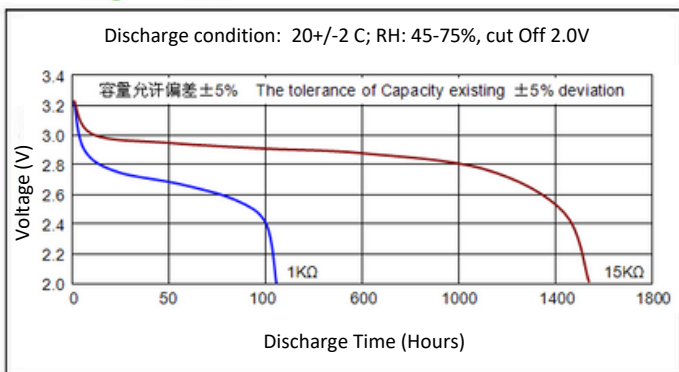


Description : Flat Lithium Battery
Chemical system : Lithium Manganese
Nominal voltage : 3 Volts
Nominal capacity : 275mAh
Dimensions : Ø24.5mm x 3.0mm
Shelf life : 10 years at room temperature
Average weight : 4.4grams
Operation temperature: -20°C ~60°C
Storage temperature: 20°C ± 2°C

Cross References:

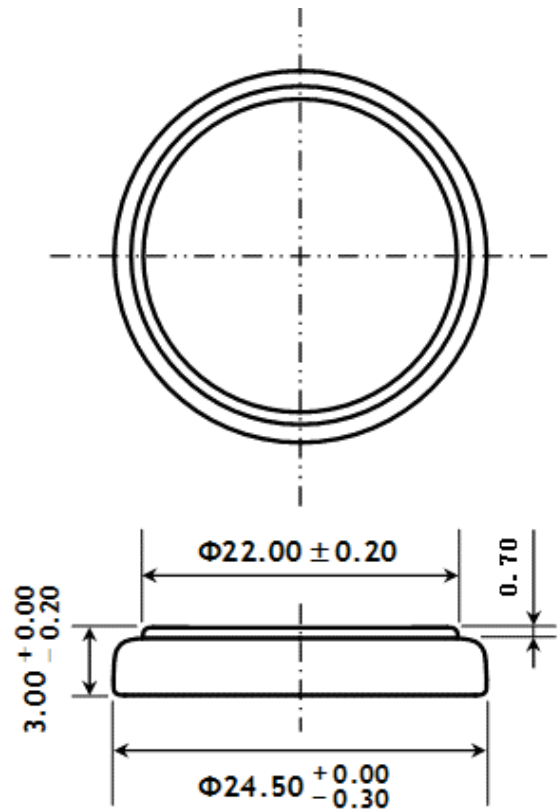
| IEC | JIS | Panasonic | Varta |
|--------|--------|-----------|--------|
| CR2430 | CR2430 | CR2430 | CR2430 |

Discharge Characteristics



Model no.: **CR2430**

Extra



The information (subject to change without prior notice) contained in this document is for reference only and should not be used as a basis for product guarantee or warranty. For applications other than those described here, please consult your nearest GP Sales and Marketing Office or Distributors.